

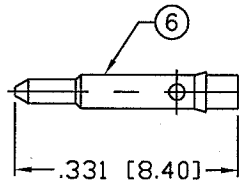
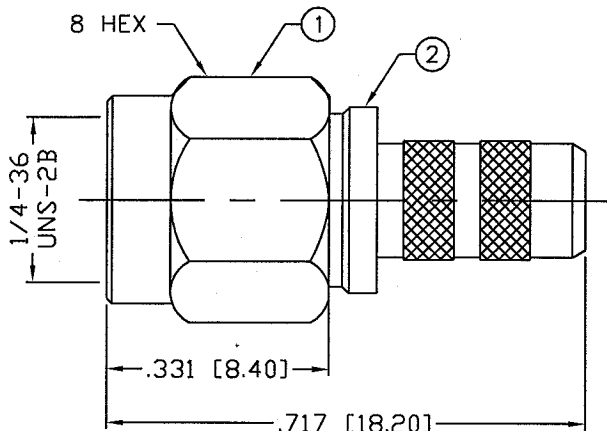
THIS DRAWING CONTAINS INFORMATION PROPRIETARY TO RF INDUSTRIES.  
 ANY UNAUTHORIZED USE OF THIS DRAWING IS EXPRESSLY PROHIBITED  
 WITHOUT WRITTEN PERMISSION FROM RF INDUSTRIES.  
 ANY VIOLATION IS PUNISHABLE UNDER U.S. COPYRIGHT LAWS.

ALL DIMENSIONS ARE REFERENCE ONLY

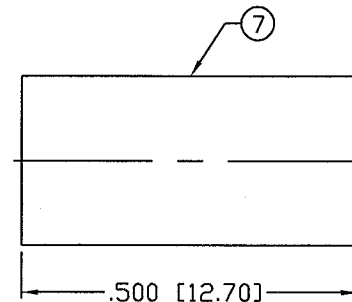
PART NO.

# RSA-3000-C1

REV	DESCRIPTION	DWN	DATE	APPROVED
A	ENGINEERING RELEASE	KMM	10/20/96	R. RICE
B	CHANGE FERRULE STUD O.D. & CRIMP FERRULE I.D.	JDM	6/8/00	JDMc
C	ADD SPECS/CHG DRAWING # FROM 8676B/UPDATE DWG FOMAT	CZS	6/7/01	JDMc



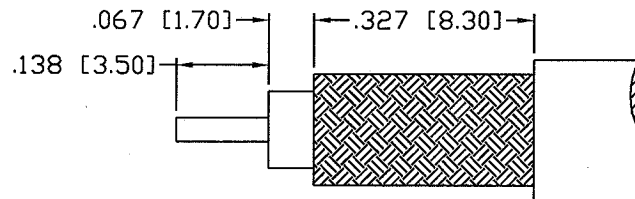
SOLDER PIN



RECOMMENDED CRIMP SIZE: .213

### SPECIFICATIONS:

IMPEDANCE: 50 Ohms  
 FREQUENCY RANGE: 0-12.4 GHz  
 VSWR: 1.3 Max.  
 INSERTION LOSS (dB):  $0.03 \times \sqrt{f(\text{GHz})}$  Max.  
 INSULATION RESISTANCE: 5000 Megohms Minimum  
 TEMPERATURE RANGE: -65°C TO 165°C  
 FOR RG-55, 55A, 55B, 142, 142A, 142B, 223 & 400/U,  
 ALPHA 9055, 9055B, 9223, BELDEN 8219, 83242, 84142, 9907



RECOMMENDED STRIPPING DIM'S

1	COUPLING NUT	1	BRASS	NICKEL, 100μ"	008974	
2	BODY	1	BRASS	NICKEL, 100μ"		
3	INSULATOR	1	PTFE	---		
4	RETAINING RING	1	Be.Cu.	---		
5	GASKET	1	SILICONE	RED		
6	PIN	1	BRASS	GOLD, 50μ"		
7	FERRULE	1	BRASS	NICKEL, 100μ"		
8						
9						
10						
11						
12						
13						
14						
#	DESCRIPTION	QTY	MATERIAL	FINISH	APPROVALS	DATE

DRAWN JDM 6/7/01  
 CHECKED JDM 7-9-01  
 ORJ DRAWN K. MAXWELL 10/20/96

#### UNLESS OTHERWISE SPECIFIED:

- REMOVE ALL BURRS
- BREAK ALL CORNERS & EDGES .005 R. MAX.
- CHAMFER 1ST & LAST THREADS 45°
- SURFACE ROUGHNESS 63 FINISH MIL-STD-10
- DIAMETERS ON COMMON CENTERS TO BE CONCENTRIC WITHIN .002 T.I.R.
- ALL DIMENSIONS ARE AFTER PLATING.

DIMENSIONS ARE IN INCHES AND [MILLIMETERS]

UNLESS OTHERWISE NOTED TOLERANCES ARE:

DECIMALS	DIAMETER
.xxx±.003 [.08]	.xxx±.001 [.03]
.xx±.005 [.13]	.xx±.003 [.08]

**RF connectors**  
 DIVISION OF RF INDUSTRIES, LTD.

7610 MIRAMAR RD  
 SAN DIEGO, CA 92126  
 (858) 549-6340  
 (858) 549-6345 FAX

## SMA PLUG, CRIMP

SIZE	CABLE GROUP	DWG NO.	REV
A	C1	RSA-3000-C1	C
SCALE: NTS		CAD FILE OUTLINE	SHEET 1 OF 1